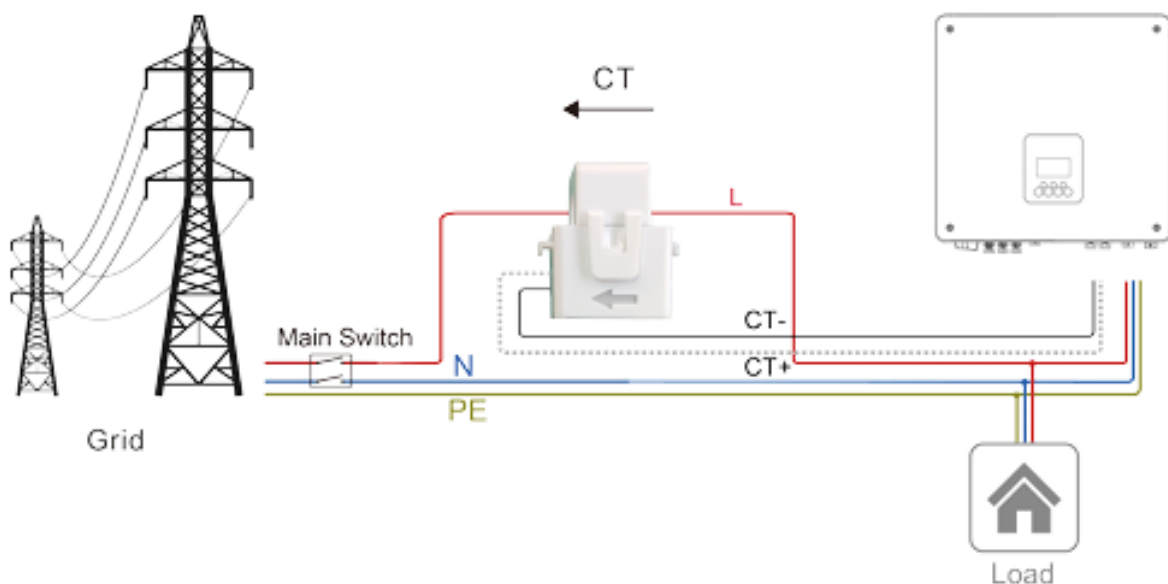


Guide for Single-Phase CT/Meter connections

When installing a inverter using the CT

- The CT will need to be installed just after the Main circuit breaker on the live conductor before feeding the inverter and/or Non-essential loads
- Locate the arrow on the side of the CT as this needs to face towards the Grid
- Locate the COMMS plug that plugs into the METER/CT/RS485 port on the inverter
- The Red + conductor needs to be terminated on pin 8 + of the comms plug
- The Black - conductor needs to be terminated on pin 7 - of the comms plug



• **Meter/CT/RS485**

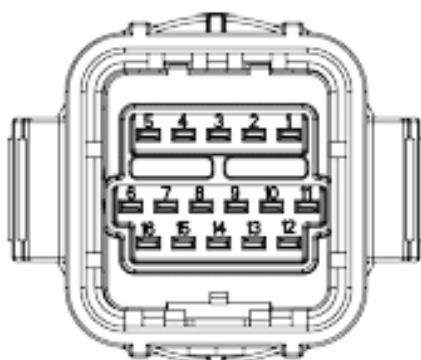
The inverter has integrated export limitation functionality. To use this function, a power meter or a CT must be installed. The PIN definitions of Meter/CT/485 interface are as below.

For 8P:



PIN	1	2	3	4	5	6	7	8
Definition	Meter485A	Meter485B	485B	485A	CT2+	CT2-	CT1-	CT1+

For 16P:

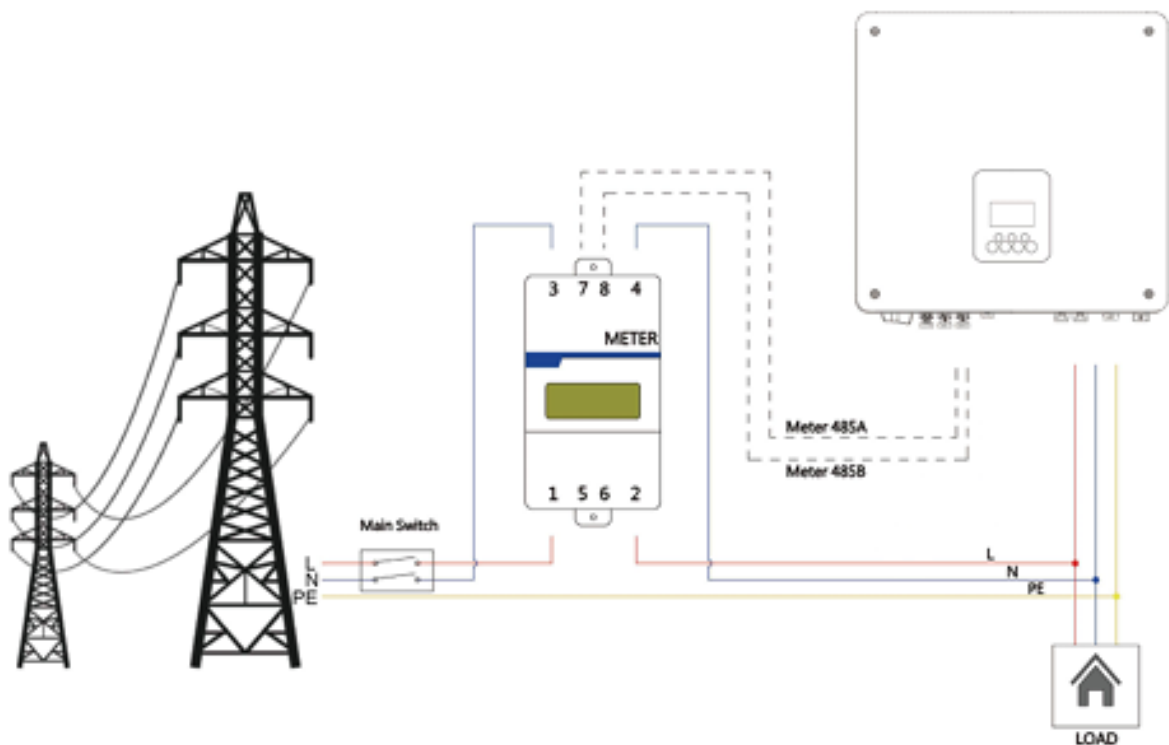


PIN	1	2	3	4	5	6	7	8
Definition	Meter485A	Meter485B	485B	485A	CT2+	CT2-	CT1-	CT1+

PIN	9	10	11	12	13	14	15	16
Definition	/	K1	K2	K3	K4	/	DI	COM

When installing a inverter using the Meter

- The Meter will need to be installed and wired just after the Main circuit breaker before feeding the inverter and/or Non-essential loads
- When wiring the meter terminal 1 = Live in and terminal 2 = Live out
terminal 3 = Neutral in and terminal 4 = Neutral out
- A 2-pair comms cable will need to be installed from the meter to the inverter
- On the meter terminal 7 = Meter 485A and will connect to the comms plug terminal 1 = Meter 485A
- Meter terminal 8 = Meter 485B and will connect to the comms plug terminal 2 = Meter 485B
- The Black conductor needs to be terminated on pin 7 - of the comms plug



- **Meter/CT/RS485**

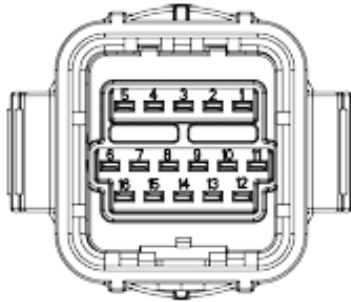
The inverter has integrated export limitation functionality. To use this function, a power meter or a CT must be installed. The PIN definitions of Meter/CT/485 interface are as below.

For 8P:



PIN	1	2	3	4	5	6	7	8
Definition	Meter485A	Meter485B	485B	485A	CT2+	CT2-	CT1-	CT1+

For 16P:



PIN	1	2	3	4	5	6	7	8
Definition	Meter485A	Meter485B	485B	485A	CT2+	CT2-	CT1-	CT1+

PIN	9	10	11	12	13	14	15	16
Definition	/	K1	K2	K3	K4	/	DI	COM

